

For reference only. See data sheet for the detailed specifications.

Technical Specification



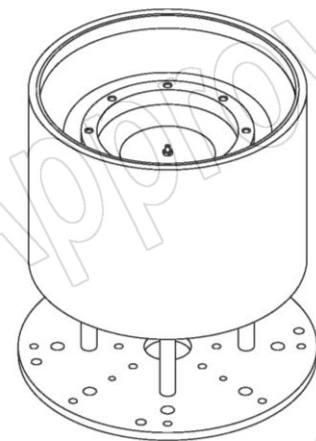
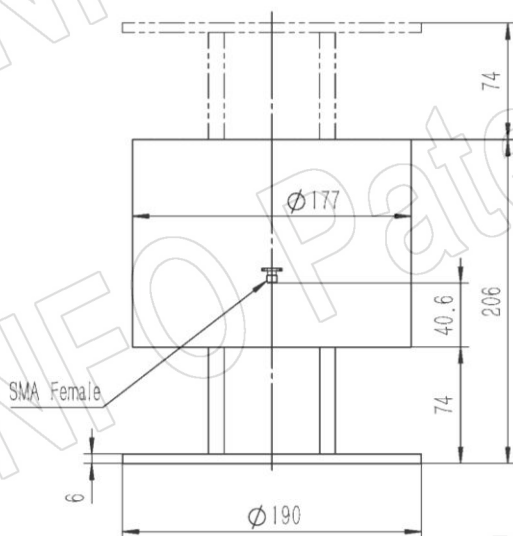
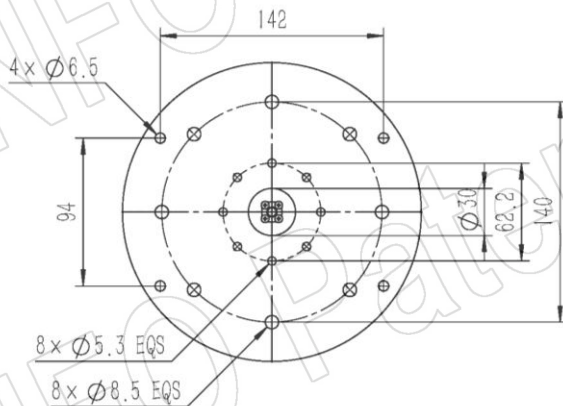
Frequency Range(GHz)	0.8 – 4.0
Gain(dB)	0 Typ.
Polarization	Vertical
VSWR	1.50:1 Typ.
Connector	SMA-Female
Power Handling (W CW)	50 Max.
Material	Al
Size(mm)	190 x 190 x 206
Net Weight(Kg)	1.60 Around

PATENT ID (China)

ZL202220801477.X

Outline Drawing (Size: mm)

SMA-Female output (P/N: SZ-80400/P)



AINFO Inc.

China(Beijing):
China(Chengdu):
USA :

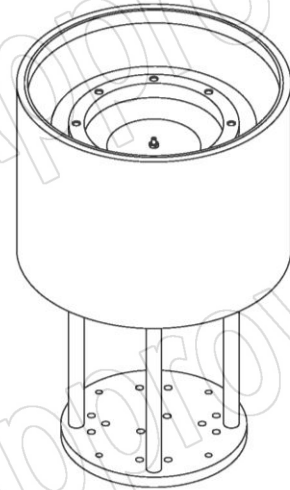
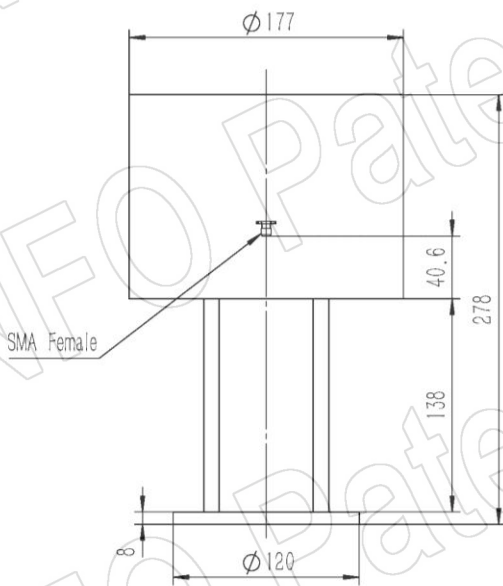
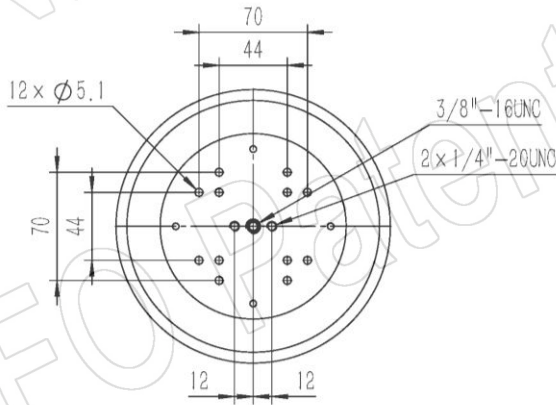
Tel: (+86) 10-6266-7326,
Tel: (+86) 28-8519-2786,
Tel: (+1) 949-639-9688,

(+86) 10-6266-7327
(+86) 28-8519-3044
(+1) 949-639-9608

Fax: (+86) 10-6266-7379
Fax: (+86) 28-8519-3068
Fax: (+1) 949-639-9670

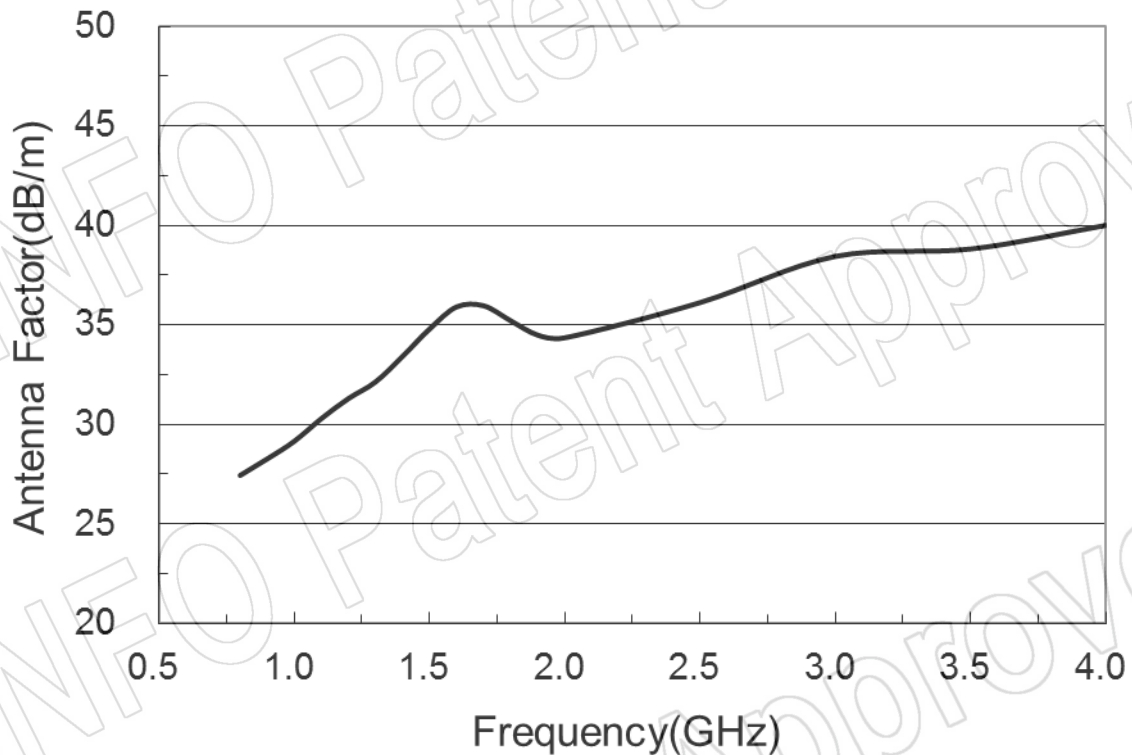
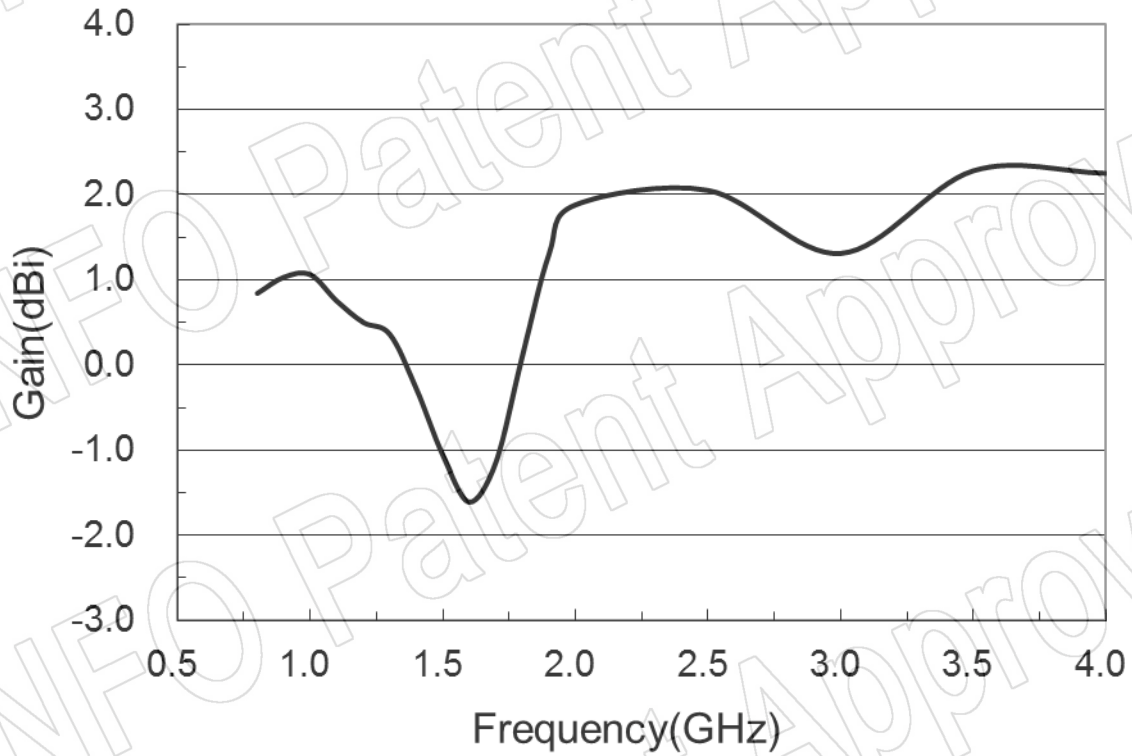
Website: www.ainfoinc.com
Email: sales@ainfoinc.com

SMA-Female output with Round Mounting Bracket (Option, P/N: SZ-80400/P-MB2)

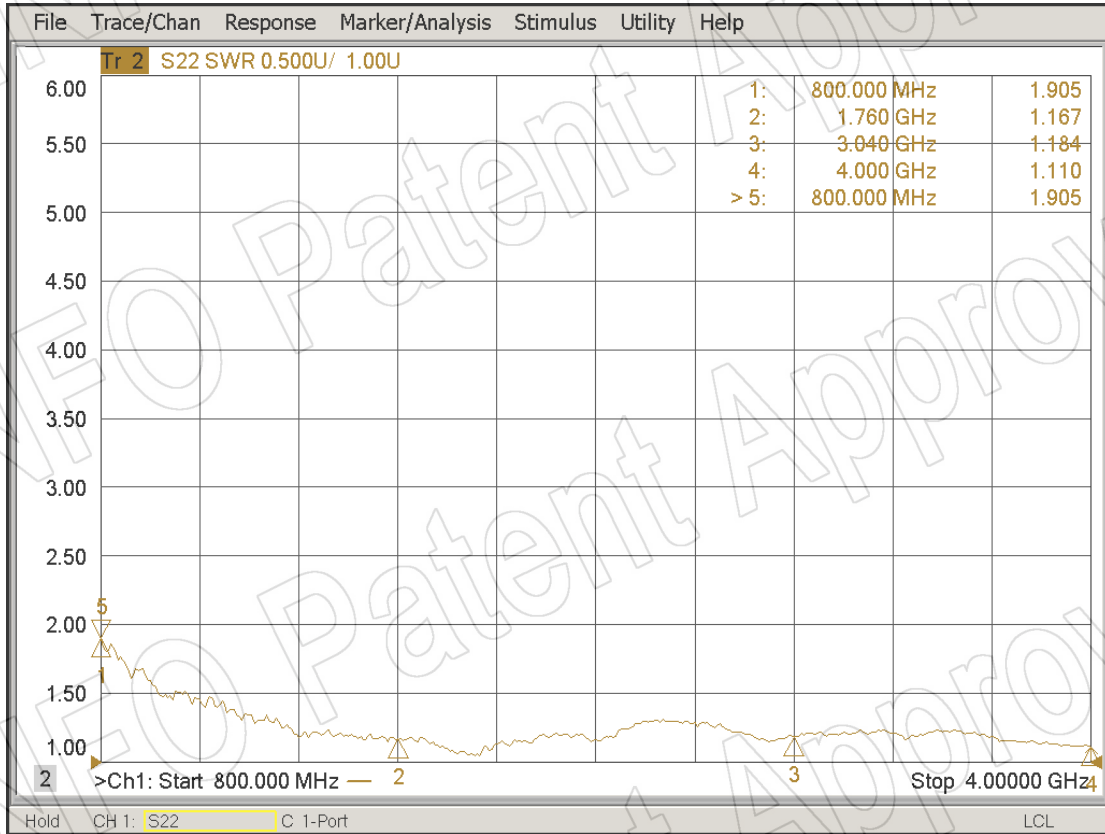


Test Results

1. Gain & Antenna Factor

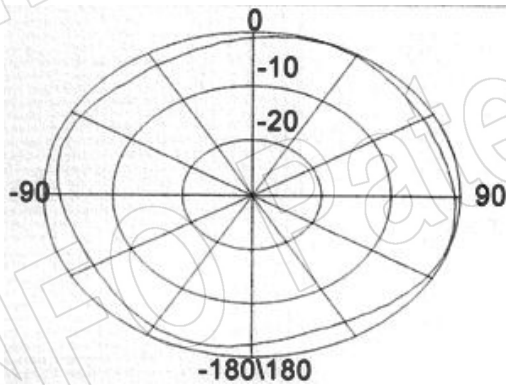


2. VSWR

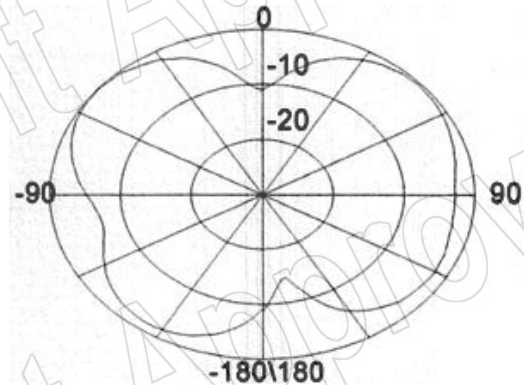


3. Pattern

Frequency: 0.8GHz

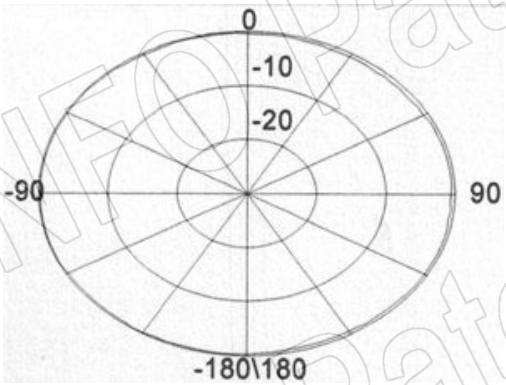


H-Plane

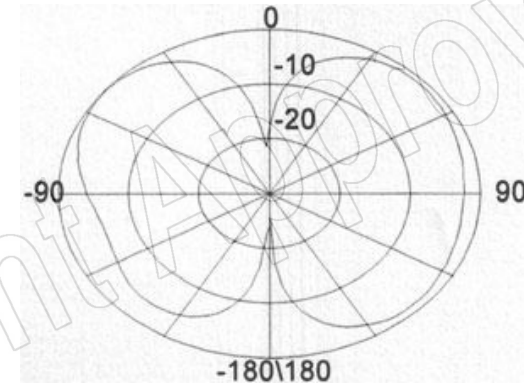


E-Plane

Frequency: 1.0GHz

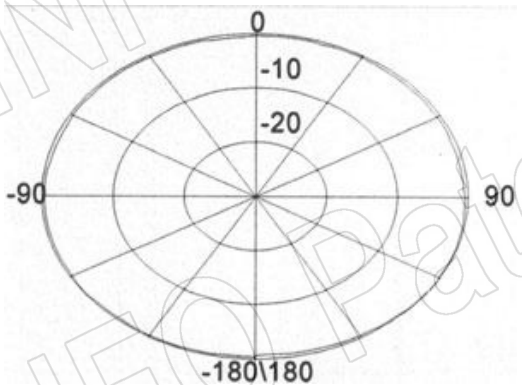


H-Plane

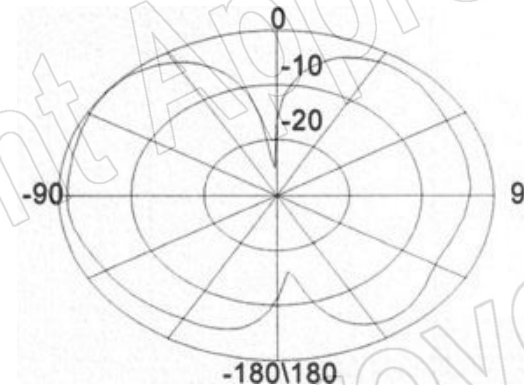


E-Plane

Frequency: 1.5GHz

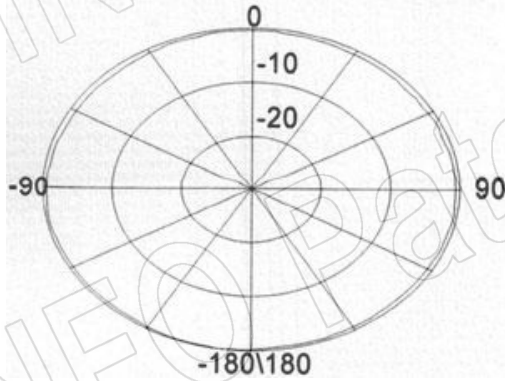


H-Plane

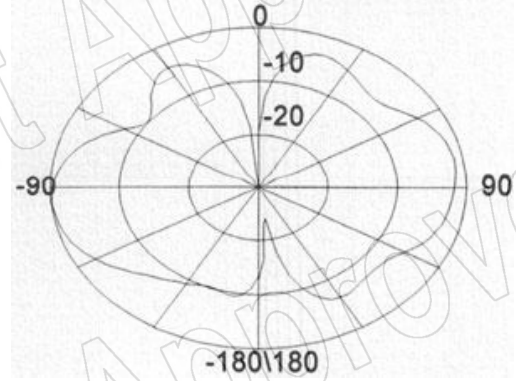


E-Plane

Frequency: 2.0GHz

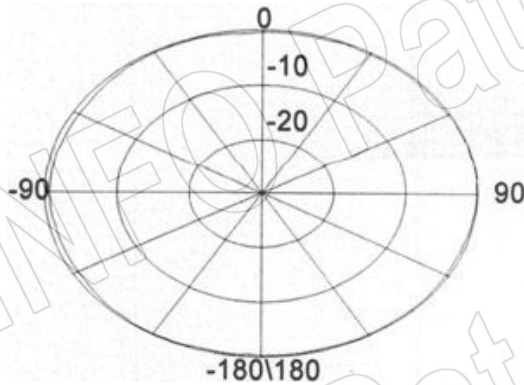


H-Plane

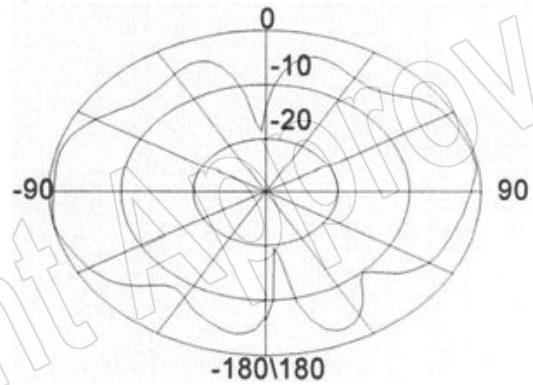


E-Plane

Frequency: 2.5GHz

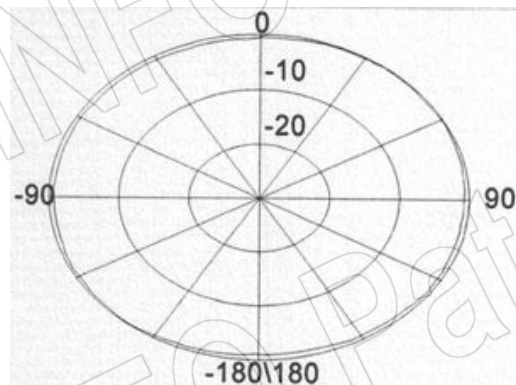


H-Plane

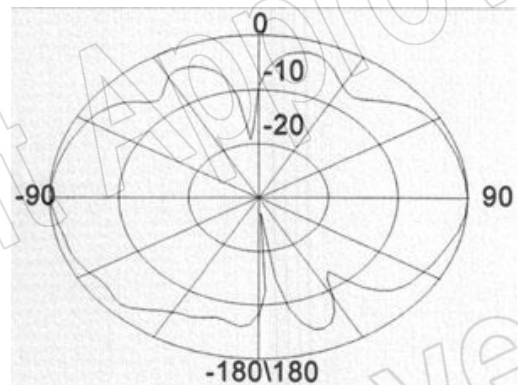


E-Plane

Frequency: 3.0GHz

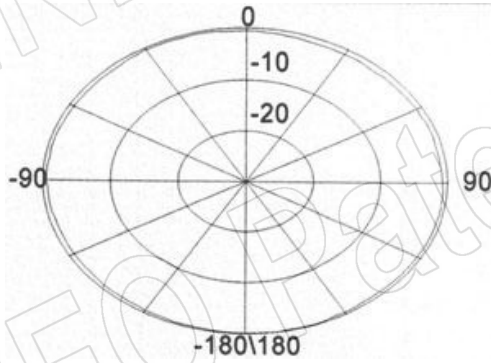


H-Plane

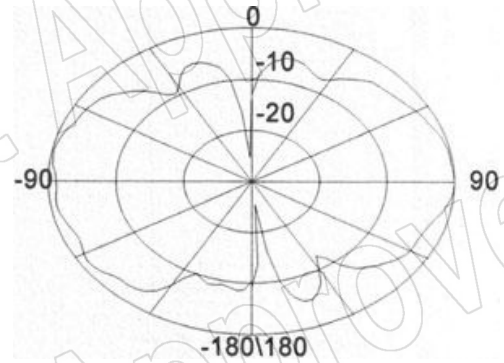


E-Plane

Frequency: 3.5GHz

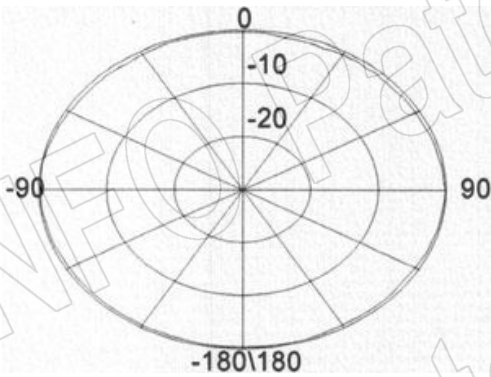


H-Plane

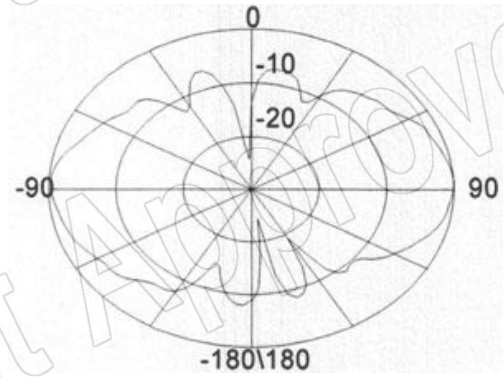


E-Plane

Frequency: 4.0GHz



H-Plane



E-Plane